

AMERICAN CRAFTSMAN WINDOWS SILVER LINE WINDOWS AND DOORS

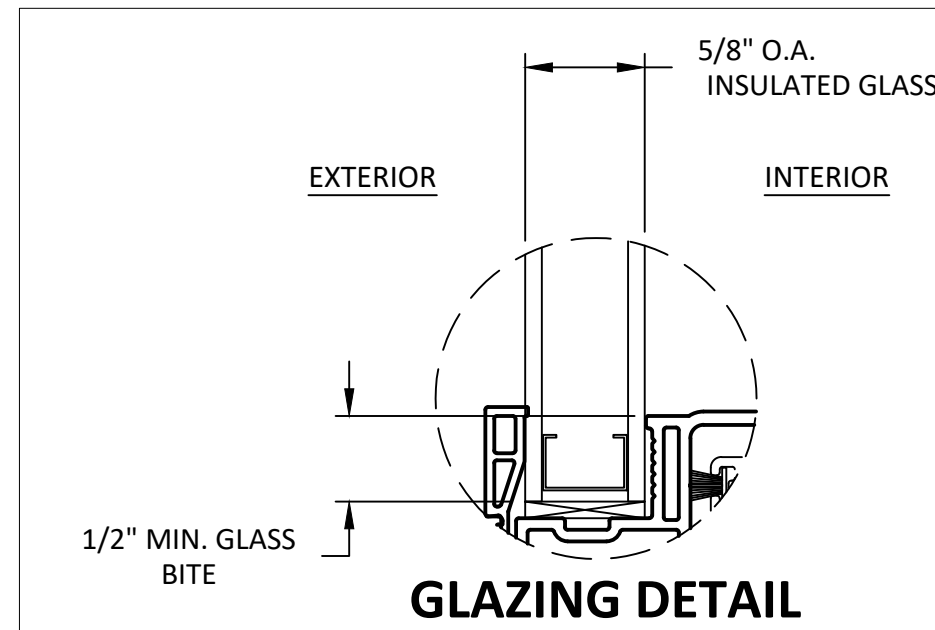
50 SERIES / V1 SERIES / (2000) SINGLE-HUNG WINDOWS (NON-HVHZ)(NON-IMPACT)

GENERAL NOTES:

1. THE PRODUCT SHOWN HEREIN IS DESIGNED AND MANUFACTURED TO COMPLY WITH THE CURRENT EDITION FLORIDA BUILDING CODE (FBC), **EXCLUDING** HVHZ AND HAS BEEN EVALUATED ACCORDING TO THE FOLLOWING:
 - AAMA/WDMA/CSA 101/I.S.2/A440-08/11
2. ADEQUACY OF THE EXISTING STRUCTURAL CONCRETE/MASONRY, 2X FRAMING, AND METAL FRAMING AS A MAIN WIND FORCE RESISTING SYSTEM CAPABLE OF WITHSTANDING AND TRANSFERRING APPLIED PRODUCT LOADS TO THE FOUNDATION IS THE RESPONSIBILITY OF THE ENGINEER OR ARCHITECT OF RECORD FOR THE PROJECT OF INSTALLATION.
3. 1X AND 2X BUCKS (WHEN USED) SHALL BE DESIGNED AND ANCHORED TO PROPERLY TRANSFER ALL LOADS TO THE STRUCTURE. BUCK DESIGN AND INSTALLATION IS THE RESPONSIBILITY OF THE ENGINEER OR ARCHITECT OF RECORD FOR THE PROJECT OF INSTALLATION.
4. THE INSTALLATION DETAILS DESCRIBED HEREIN ARE GENERIC AND MAY NOT REFLECT ACTUAL CONDITIONS FOR A SPECIFIC SITE. IF SITE CONDITIONS CAUSE INSTALLATION TO DEVIATE FROM THE REQUIREMENTS DETAILED HEREIN, A LICENSED ENGINEER OR ARCHITECT SHALL PREPARE SITE SPECIFIC DOCUMENTS FOR USE WITH THIS DOCUMENT IN NON-HVHZ AREAS.
5. APPROVED IMPACT PROTECTIVE SYSTEM **IS REQUIRED** ON THIS PRODUCT IN AREAS REQUIRING IMPACT RESISTANCE.
6. WINDOW FRAME MATERIAL: PVC
7. GLASS SHALL MEET THE REQUIREMENTS OF ASTM E 1300 GLASS CHARTS. SEE SHEET 1 FOR GLAZING DETAILS.

DESIGN PRESSURE TABLE					
PRODUCT MODEL	WINDOW SIZE	CONFIGURATION	DESIGN PRESSURE	GLASS TYPE	MISSILE IMPACT RATING
2001	36.0" X 62.0"	O/X	+35/-35 PSF	SS/SS	NON IMPACT
2001	48.0" X 80.0"	O/X	+15/-15 PSF	SS/SS	NON IMPACT
2001	36.0" X 62.0"	O/X	+50/-50 PSF	DS/DS	NON IMPACT
2001	45.0" X 62.0"	O/X	+40/-40 PSF	DS/DS	NON IMPACT
2001	48.0" X 73.0"	O/X	+30/-30 PSF	DS/DS	NON IMPACT
2002	72.0" X 62.0"	O/X-O/X	+35/-35 PSF	SS/SS	NON IMPACT
2002	96.0" X 62.0"	O/X-O/X	+20/-20 PSF	SS/SS	NON IMPACT
2002	72.0" X 80.0"	O/X-O/X	+20/-20 PSF	SS/SS	NON IMPACT
2002	96.0" X 80.0"	O/X-O/X	+15/-15 PSF	SS/SS	NON IMPACT
2003	108.0" X 80.0"	O/X-O/X-O/X	+25/-25 PSF	SS/SS	NON IMPACT
2003	108.0" X 62.0"	O/X-O/X-O/X	+35/-35 PSF	SS/SS	NON IMPACT

TABLE OF CONTENTS		
SHEET	REVISION	SHEET DESCRIPTION
1	-	GENERAL NOTES & GLAZING DETAILS
2	-	ELEVATIONS & ANCHOR LAYOUTS
3	-	VERTICAL SECTIONS
4	-	HORIZONTAL SECTIONS
5	-	ANCHOR DETAIL & SCHEDULE



GLAZING NOTE:

- GLASS THICKNESS AND TYPE SHALL COMPLY WITH ASTM E-1300 GLASS CHARTS REQUIREMENT

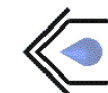
AMERICAN CRAFTSMAN WINDOWS
SILVER LINE WINDOWS AND DOORS

ONE SILVER LINE DRIVE
NORTH BRUNSWICK, NJ 08902
PH: (888) 741-0354

TITLE: 50 SERIES/ V1 SERIES/ (2000)
SINGLE-HUNG WINDOWS
(NON-HVHZ)(NON-IMPACT)

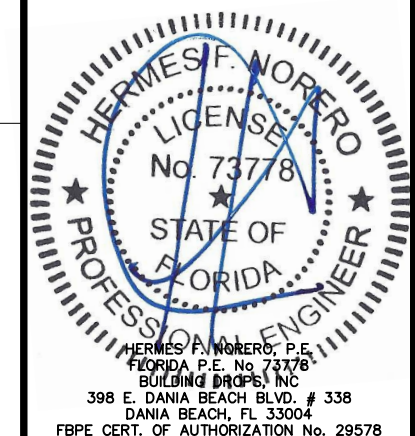
GENERAL NOTES & GLAZING DETAILS

PREPARED BY:
BUILDING DROPS, INC.
398 E. DANIA BEACH BLVD., STE. 338
DANIA BEACH, FL 33004
PH: (954) 399-8478
FAX: (954) 744-4738
WEB: www.buildingdrops.com



REMARKS	BY	DATE
6TH FBC EDITION	FM	10/17
7TH FBC EDITION	NUS	10/14/20

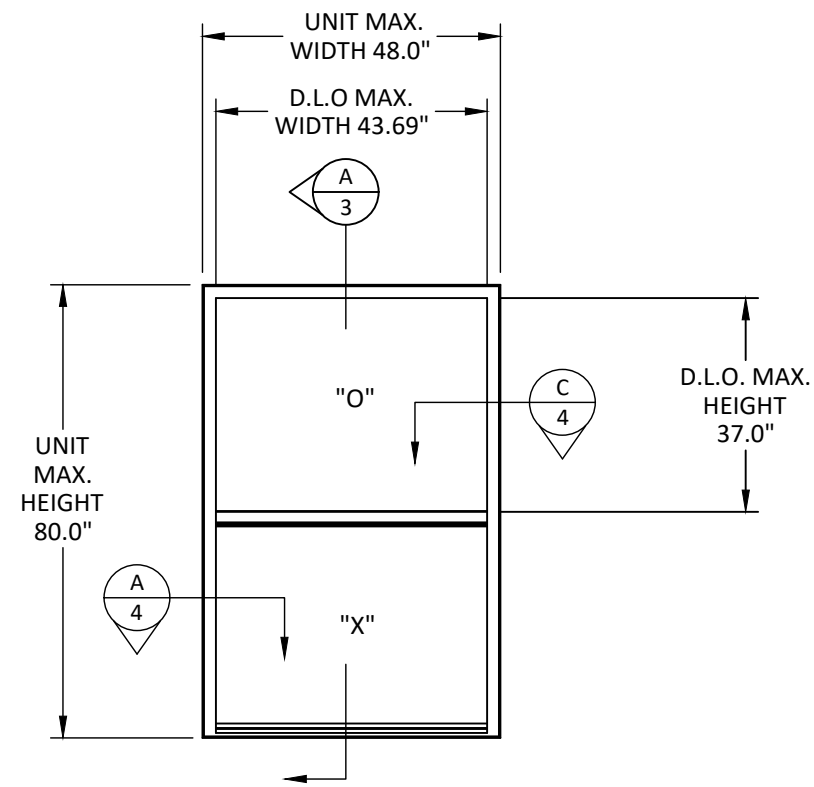
THE INSTALLATION DETAILS DESCRIBED HEREIN ARE GENERIC AND MAY NOT REFLECT ACTUAL CONDITIONS FOR A SPECIFIC SITE. IF SITE CONDITIONS CAUSE INSTALLATION TO DEVIATE FROM THE REQUIREMENTS DETAILED HEREIN, A LICENSED ENGINEER OR ARCHITECT SHALL PREPARE SITE SPECIFIC DOCUMENTS FOR USE WITH THIS DOCUMENT.



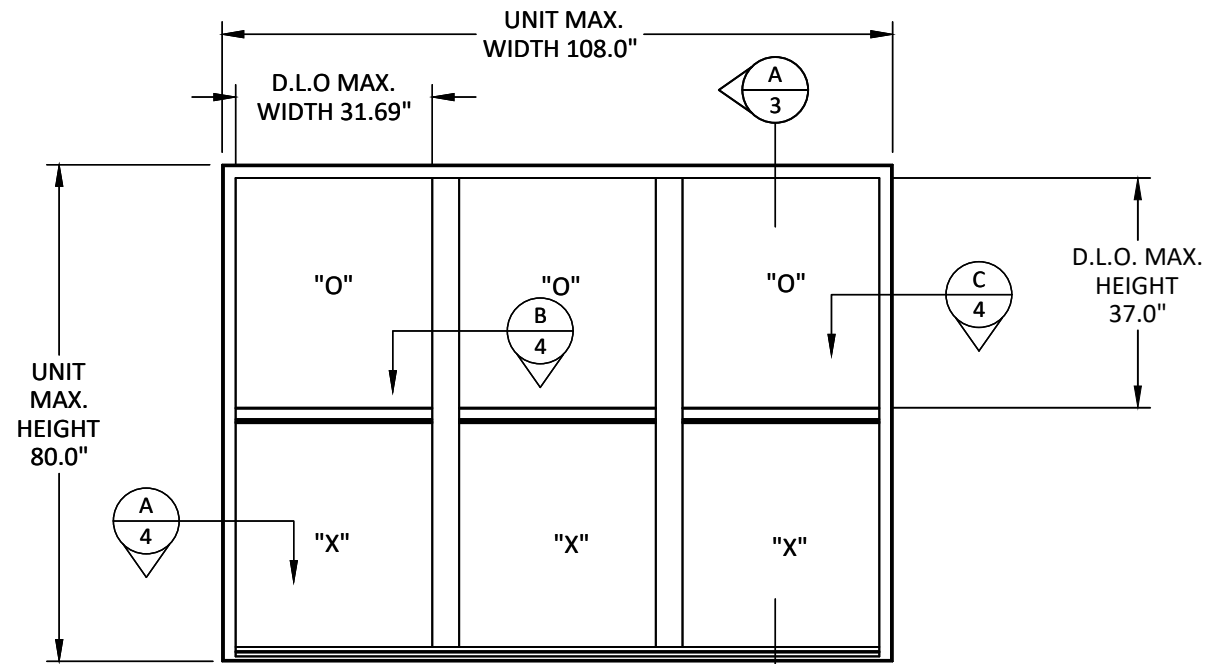
FL #:	FL14911
DATE:	09.19.17
DWG. BY:	CL
CHK. BY:	HFN
SCALE:	NTS
DWG. #:	SWD017

SHEET:
1
OF 5

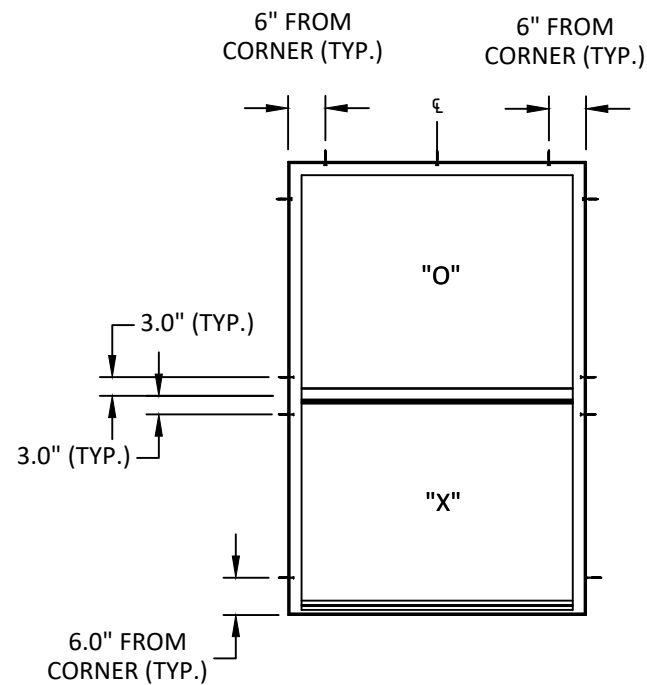
10/21/2020 3:11 PM
s:\projects\silver line windows and doors\cc-20-0920-fbc code change (ver. 2)\dwg\fl14911\swd017 - single hung 2000 series.dwg



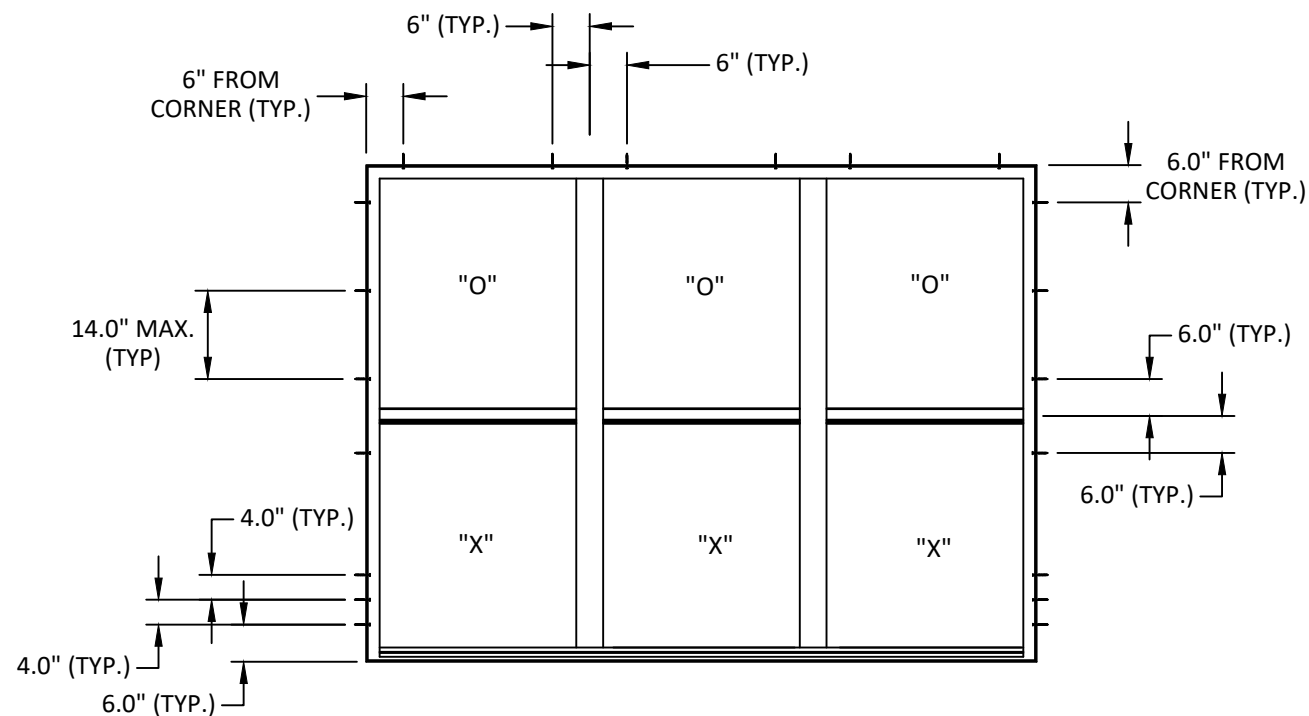
ELEVATION



ELEVATION



ANCHOR LAYOUT THROUGH FRAME



ANCHOR LAYOUT THROUGH FRAME

NOTE: 1) APPLIES TO TWIN UNITS OF EQUIVALENT OR LESSER PANEL DIMENSIONS.

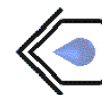
AMERICAN CRAFTSMAN WINDOWS
SILVER LINE WINDOWS AND DOORS

ONE SILVER LINE DRIVE
NORTH BRUNSWICK, NJ 08902
PH: (888) 741-0354

TITLE: 50 SERIES/ V1 SERIES/ (2000)
SINGLE-HUNG WINDOWS
(NON-HVHZ)(NON-IMPACT)

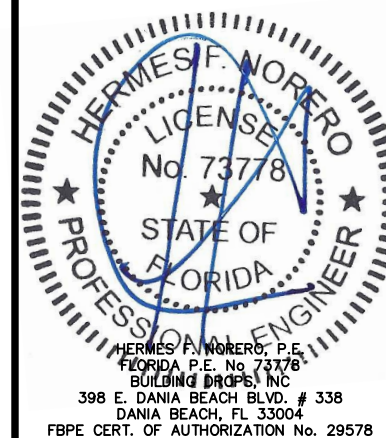
ELEVATIONS & ANCHOR LAYOUTS

PREPARED BY:
BUILDING DROPS, INC.
398 E. DANIA BEACH BLVD., STE. 338
DANIA BEACH, FL 33004
PH: (954) 399-8478
FAX: (954) 744-4738
WEB: www.buildingdrops.com



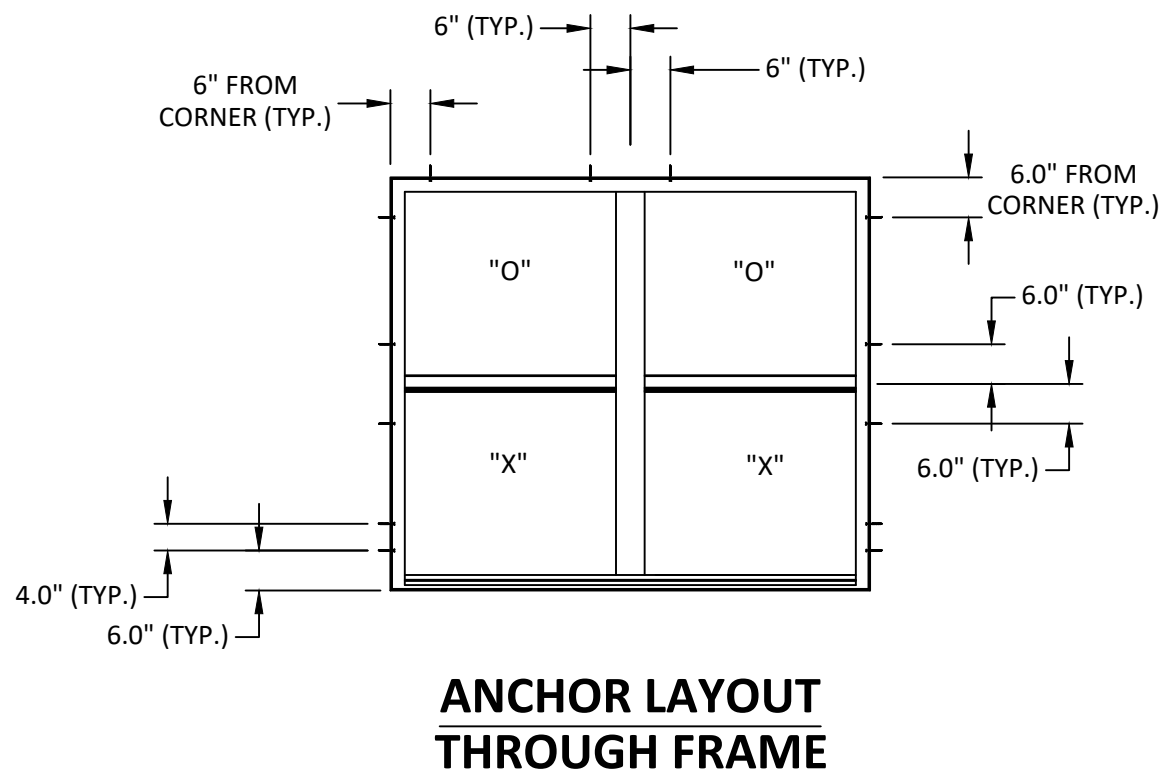
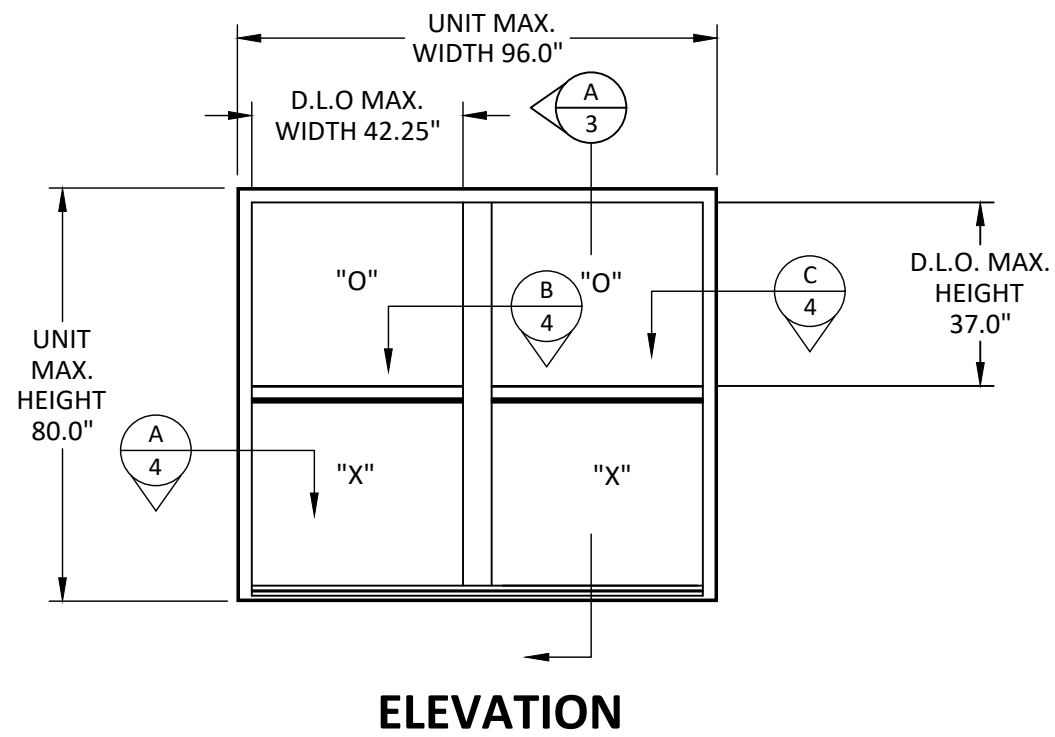
REMARKS	BY	DATE
6TH FBC EDITION	FM	10/17
7TH FBC EDITION	NUS	10/14/20

THE INSTALLATION DETAILS DESCRIBED HEREIN ARE GENERIC AND MAY NOT REFLECT ACTUAL CONDITIONS FOR A SPECIFIC SITE. IF SITE CONDITIONS CAUSE INSTALLATION TO DEVIATE FROM THE REQUIREMENTS DETAILED HEREIN, A LICENSED ENGINEER OR ARCHITECT SHALL PREPARE SITE SPECIFIC DOCUMENTS FOR USE WITH THIS DOCUMENT.



FL #:	FL14911
DATE:	09.19.17
DWG. BY:	CL
CHK. BY:	HFN
SCALE:	NTS
DWG. #:	SWD017
SHEET:	2

s:\projects\silver line windows and doors\cc-20-0920-fbc code change (ver. 2)\dwg\fl14911\swd017 - single hung 2000 series.dwg 10/21/2020 3:11 PM



AMERICAN CRAFTSMAN WINDOWS
SILVER LINE WINDOWS AND DOORS

ONE SILVER LINE DRIVE
NORTH BRUNSWICK, NJ 08902
PH: (888) 741-0354

TITLE: 50 SERIES/ V1 SERIES/ (2000)
SINGLE-HUNG WINDOWS
(NON-HVHZ)(NON-IMPACT)

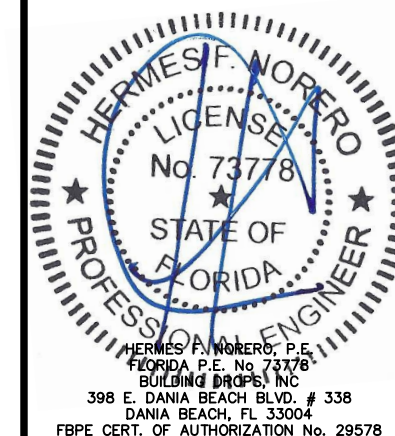
ELEVATIONS & ANCHOR LAYOUTS

PREPARED BY:
BUILDING DROPS, INC.
398 E. DANIA BEACH BLVD., STE. 338
DANIA BEACH, FL 33004
PH: (954) 359-8478
FAX: (954) 744-4738
WEB: www.buildingdrops.com



REMARKS	BY	DATE
6TH FBC EDITION	FM	10/17
7TH FBC EDITION	NUS	10/14/20

THE INSTALLATION DETAILS DESCRIBED HEREIN ARE GENERIC AND MAY NOT REFLECT ACTUAL CONDITIONS FOR A SPECIFIC SITE. IF SITE CONDITIONS CAUSE INSTALLATION TO DEVIATE FROM THE REQUIREMENTS DETAILED HEREIN, A LICENSED ENGINEER OR ARCHITECT SHALL PREPARE SITE SPECIFIC DOCUMENTS FOR USE WITH THIS DOCUMENT.

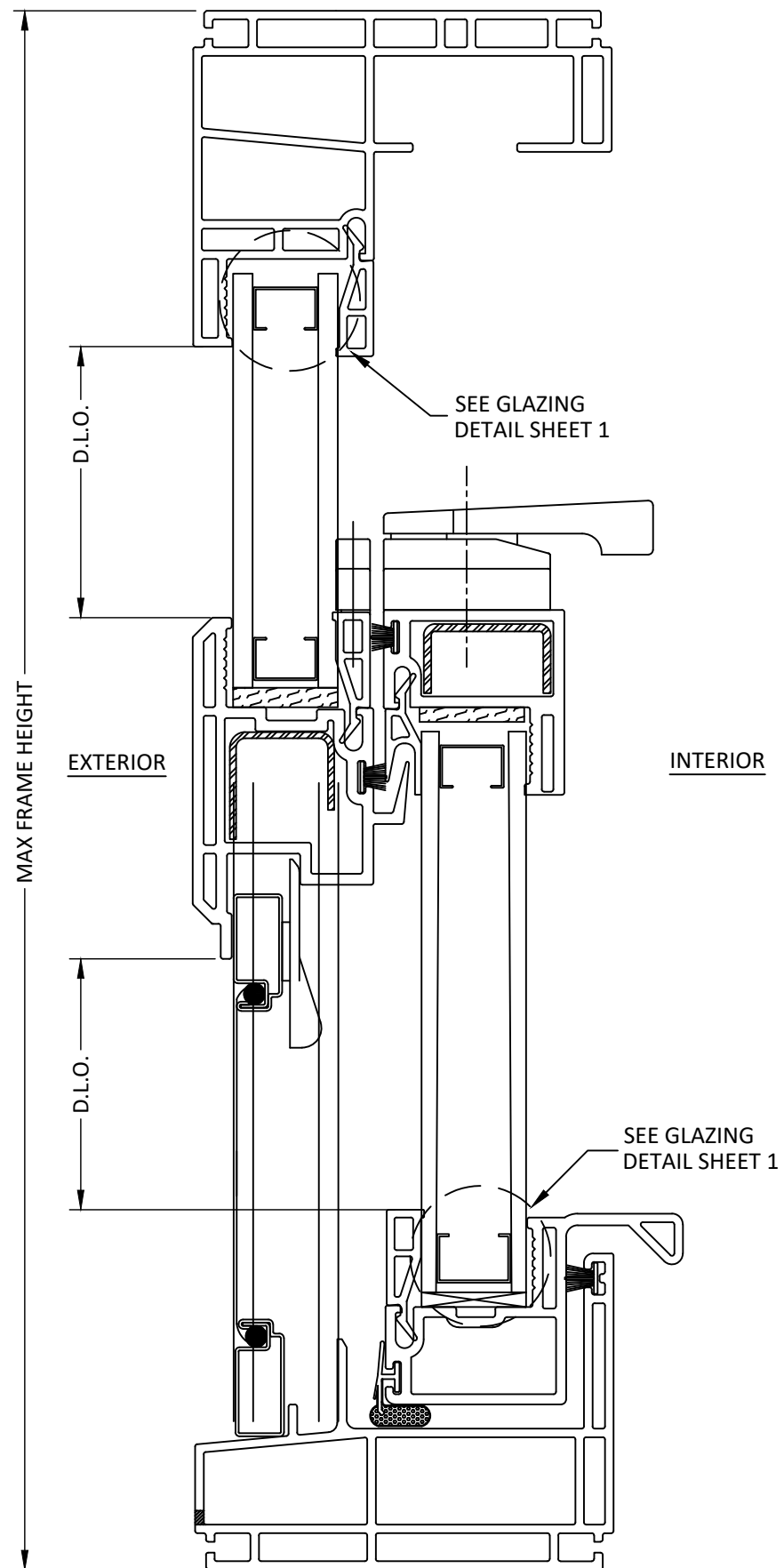


FL #:	FL14911
DATE:	09.19.17
DWG. BY:	CL
CHK. BY:	HFN
SCALE:	NTS
DWG. #:	SWD017
SHEET:	2.1

s:\projects\silver line windows and doors\cc-20-0920-fbc code change (ver. 7)\dwg\fl14911_swd017 - single hung 2000 series.dwg 10/21/2020 3:11 PM

A
3

VERTICAL SECTION



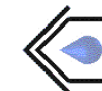
AMERICAN CRAFTSMAN WINDOWS
SILVER LINE WINDOWS AND DOORS

ONE SILVER LINE DRIVE
NORTH BRUNSWICK, NJ 08902
PH: (888) 741-0354

TITLE: 50 SERIES/ V1 SERIES/ (2000)
SINGLE-HUNG WINDOWS
(NON-HVHZ)(NON-IMPACT)

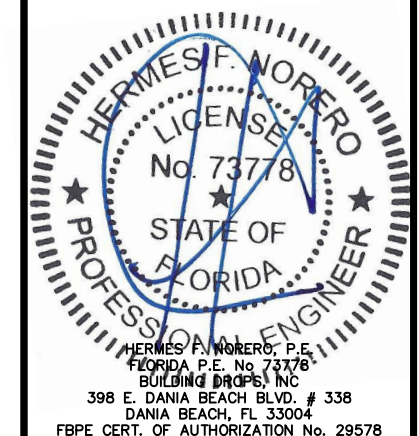
VERTICAL SECTIONS

PREPARED BY:
BUILDING DROPS, INC.
398 E. DANIA BEACH BLVD., STE. 338
DANIA BEACH, FL 33004
PH: (954)399-8478
FAX: (954)744.4738
WEB: www.buildingdrops.com



REMARKS	BY	DATE
6TH FBC EDITION	FM	10/17
7TH FBC EDITION	NUS	10/14/20

THE INSTALLATION DETAILS DESCRIBED HEREIN ARE GENERIC AND MAY NOT REFLECT ACTUAL CONDITIONS FOR A SPECIFIC SITE. IF SITE CONDITIONS CAUSE INSTALLATION TO DEVIATE FROM THE REQUIREMENTS DETAILED HEREIN, A LICENSED ENGINEER OR ARCHITECT SHALL PREPARE SITE SPECIFIC DOCUMENTS FOR USE WITH THIS DOCUMENT.



FL #:	FL14911
DATE:	09.19.17
DWG. BY:	CL
CHK. BY:	HFN
SCALE:	NTS
DWG. #:	SWD017
SHEET:	3

10/21/2020 3:11 PM
s:\projects\silver_line_windows_and_doors\cc-20-0920-fbc code change (ver. 2)\dwgs\fl14911_swd017 - single hung 2000 series.dwg

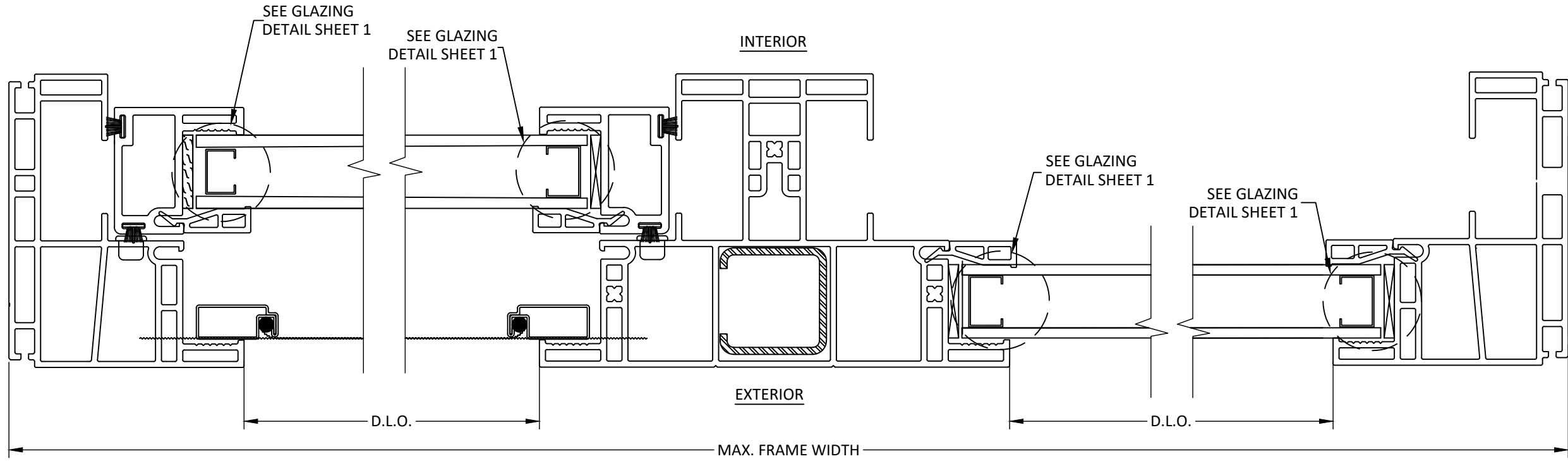
AMERICAN CRAFTSMAN WINDOWS
SILVER LINE WINDOWS AND DOORS

ONE SILVER LINE DRIVE
NORTH BRUNSWICK, NJ 08902
PH: (888) 741-0354

TITLE: 50 SERIES/ V1 SERIES/ (2000)
SINGLE-HUNG WINDOWS
(NON-HVHZ)(NON-IMPACT)

HORIZONTAL SECTIONS

PREPARED BY:
BUILDING DROPS, INC.
398 E. DANIA BEACH BLVD., STE. 338
DANIA BEACH, FL 33004
PH: (954)399-8478
FAX: (954)744-4738
WEB: www.buildingdrops.com



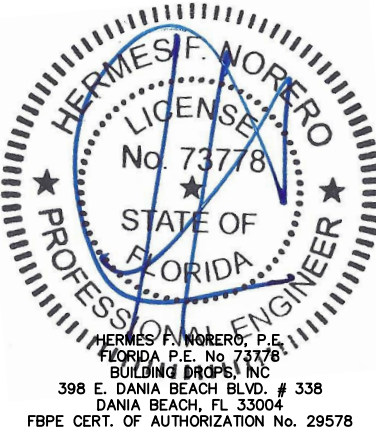
A
4 **HORIZONTAL SECTION**
OPERABLE JAMB

B
4 **HORIZONTAL SECTION**
MULLION

C
4 **HORIZONTAL SECTION**
FIXED JAMB

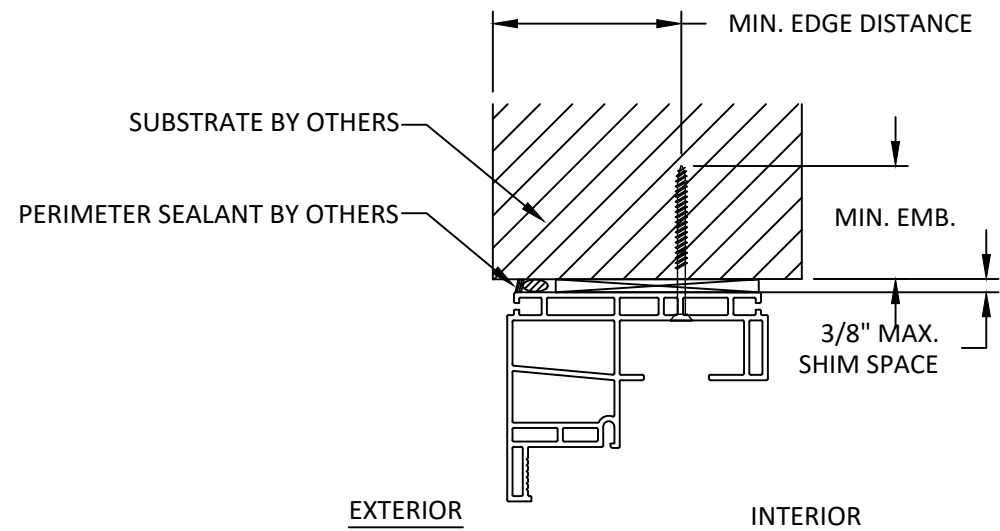
REMARKS	BY	DATE
6TH FBC EDITION	FM	10/17
7TH FBC EDITION	NUS	10/14/20

THE INSTALLATION DETAILS DESCRIBED HEREIN ARE GENERIC AND MAY NOT REFLECT ACTUAL CONDITIONS FOR A SPECIFIC SITE. IF SITE CONDITIONS CAUSE INSTALLATION TO DEVIATE FROM THE REQUIREMENTS DETAILED HEREIN, A LICENSED ENGINEER OR ARCHITECT SHALL PREPARE SITE SPECIFIC DOCUMENTS FOR USE WITH THIS DOCUMENT.

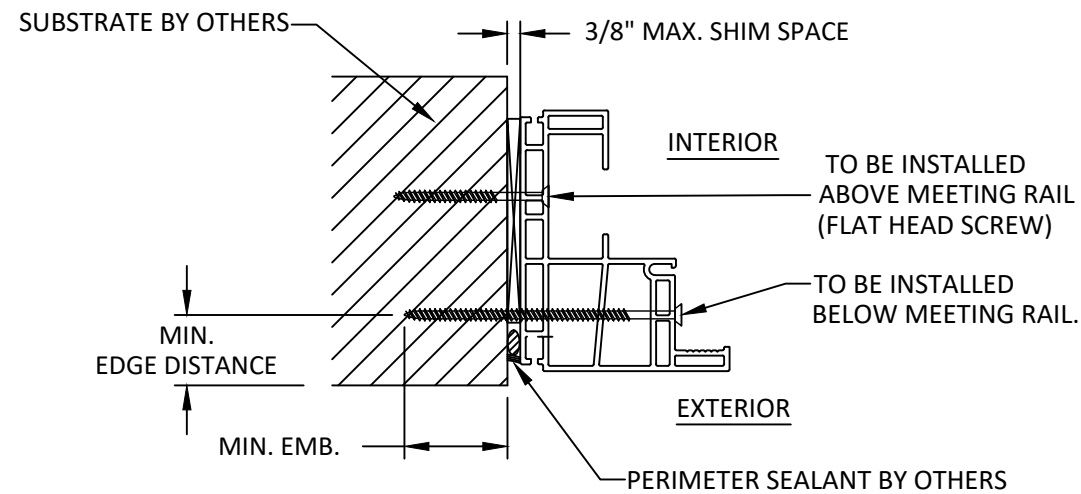


FL #:	FL14911
DATE:	09.19.17
DWG. BY:	CL
CHK. BY:	HFN
SCALE:	NTS
DWG. #:	SWD017
SHEET:	4

10/21/2020 3:11 PM
s:\projects\silver line windows and doors\cc-20-0920-fbc code change (ver. 7)\dwgs\fl14911_swd017 - single hung 2000 series.dwg



A
5
ANCHOR DETAIL
THROUGH FRAME (HEAD)



B
5
ANCHOR DETAIL
THROUGH FRAME (JAMB)

ANCHOR SCHEDULE				
METHOD	SUBSTRATE	ANCHOR SCHEDULE	MIN EMBEDMENT	MIN. EDGE DISTANCE
THROUGH FRAME	WOOD: MIN. SG = 0.55	#10 WOOD SCREW	1.5"	0.75"
	METAL: 18 GAUGE Steel, MIN. Fy = 33KSI	#10 TEK SCREW	3 THREADS MIN PENETRATION BEYOND METAL	0.75"
	CONCRETE: f _c =3000PSI	1/4" ITW TAPCON	1.75"	2.5"
	MASONRY: CMU per ASTM C90 f _c =2000PSI	1/4" ITW TAPCON	1.75"	2.5"

INSTALLATION NOTES

- ONE (1) INSTALLATION ANCHOR IS REQUIRED AT EACH ANCHOR LOCATION SHOWN.
- THE NUMBER OF INSTALLATION ANCHORS DEPICTED IS THE MINIMUM NUMBER OF ANCHORS TO BE USED FOR PRODUCT INSTALLATION OF THE MAXIMUM SIZE LISTED.
- INSTALL INDIVIDUAL INSTALLATION ANCHORS WITHIN A TOLERANCE OF ±1.000 INCH THE DEPICTED LOCATION & SPACING IN THE ANCHOR LAYOUT DETAILS (I.E., WITHOUT CONSIDERATION OF TOLERANCES). TOLERANCES ARE NOT CUMULATIVE FROM ONE INSTALLATION ANCHOR TO THE NEXT.
- SHIM AS REQUIRED AT EACH INSTALLATION ANCHOR WITH LOAD BEARING SHIM(S). MAXIMUM ALLOWABLE SHIM STACK TO BE 3/8 INCH. SHIM WHERE SPACE OF 1/16 INCH OR GREATER OCCURS. SHIM(S) SHALL BE CONSTRUCTED OF HIGH DENSITY PLASTIC OR BETTER.
- MINIMUM EMBEDMENT AND EDGE DISTANCE EXCLUDE WALL FINISHES, INCLUDING BUT NOT LIMITED TO STUCCO, FOAM, BRICK VENEER, AND SIDING.
- INSTALLATION ANCHORS AND ASSOCIATED HARDWARE MUST BE MADE OF CORROSION RESISTANT MATERIAL OR HAVE A CORROSION RESISTANT COATING.
- FOR MASONRY OR CONCRETE OPENINGS, A 1X WOOD BUCK MAY BE USED (OPTIONAL) AS LONG AS THE MINIMUM EMBEDMENT AND EDGE DISTANCE REQUIREMENTS ARE STILL MET WITHIN THE CORRESPONDING HOST SUBSTRATE. SEE GENERAL NOTE #3 ON SHEET 1 FOR MORE INFORMATION.
- FOR HOLLOW BLOCK AND GROUT FILLED BLOCK, DO NOT INSTALL INSTALLATION ANCHORS INTO MORTAR JOINTS. EDGE DISTANCE IS MEASURED FROM FREE EDGE OF BLOCK OR EDGE OF MORTAR JOINT INTO FACE SHELL OF BLOCK.
- INSTALLATION ANCHORS SHALL BE INSTALLED IN ACCORDANCE WITH ANCHOR MANUFACTURER'S INSTALLATION INSTRUCTIONS, AND ANCHORS SHALL NOT BE USED IN SUBSTRATES WITH STRENGTHS LESS THAN THE MINIMUM STRENGTH SPECIFIED BY THE ANCHOR MANUFACTURER.

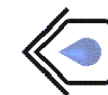
AMERICAN CRAFTSMAN WINDOWS
SILVER LINE WINDOWS AND DOORS

ONE SILVER LINE DRIVE
NORTH BRUNSWICK, NJ 08902
PH: (888) 741-0354

TITLE: 50 SERIES/ V1 SERIES/ (2000)
SINGLE-HUNG WINDOWS
(NON-HVHZ)(NON-IMPACT)

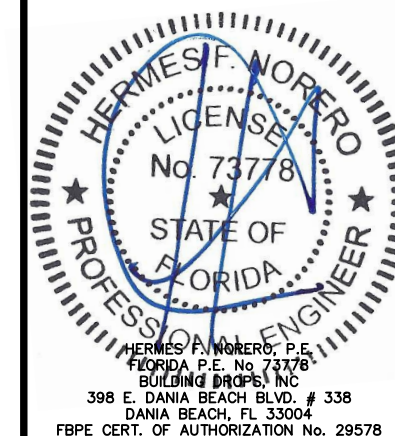
ANCHOR DETAIL & SCHEDULE

PREPARED BY:
BUILDING DROPS, INC.
398 E. DANIA BEACH BLVD., STE. 338
DANIA BEACH, FL 33004
PH: (954) 399-8478
FAX: (954) 744-4738
WEB: www.buildingdrops.com



REMARKS	BY	DATE
6TH FBC EDITION	FM	10/17
7TH FBC EDITION	NUS	10/14/20

THE INSTALLATION DETAILS DESCRIBED HEREIN ARE GENERIC AND MAY NOT REFLECT ACTUAL CONDITIONS FOR A SPECIFIC SITE. IF SITE CONDITIONS CAUSE INSTALLATION TO DEVIATE FROM THE REQUIREMENTS DETAILED HEREIN, A LICENSED ENGINEER OR ARCHITECT SHALL PREPARE SITE SPECIFIC DOCUMENTS FOR USE WITH THIS DOCUMENT.



FL #: **FL14911**

DATE: **09.19.17**

DWG. BY: **CL** | CHK. BY: **HFN**

SCALE: **NTS**

DWG. #: **SWD017**

SHEET:

5

OF 5